

EN

OPERATING MANUAL
CLIMATE MONITORING
STATION



Table of contents

Notes regarding the operating manual..... 2

Safety 2

Information about the device..... 3

Transport and storage..... 4

Operation 4

Maintenance and repair 7

Disposal 7

Notes regarding the operating manual

Symbols



Warning of electrical voltage

This symbol indicates dangers to the life and health of persons due to electrical voltage.



Warning

This signal word indicates a hazard with an average risk level which, if not avoided, can result in serious injury or death.



Caution

This signal word indicates a hazard with a low risk level which, if not avoided, can result in minor or moderate injury.

Note

This signal word indicates important information (e.g. material damage), but does not indicate hazards.



Info

Information marked with this symbol helps you to carry out your tasks quickly and safely.



Follow the manual

Information marked with this symbol indicates that the operating manual must be observed.

You can download the current version of the operating manual and the EU declaration of conformity via the following link:



BZ06



<https://hub.trotec.com/?id=43554>

Safety

Read this manual carefully before starting or using the device. Always store the manual in the immediate vicinity of the device or its site of use!



Warning

Read all safety warnings and all instructions.

Failure to follow the warnings and instructions may result in electric shock, fire and / or serious injury.

Save all warnings and instructions for future reference.

This appliance can be used by children aged from 8 years and above and persons with reduced physical, sensory or mental capabilities or lack of experience and knowledge if they have been given supervision or instruction concerning use of the appliance in a safe way and understand the hazards involved.

Children shall not play with the appliance. Cleaning and user maintenance shall not be made by children without supervision.

- Do not use the device in potentially explosive rooms.
- Do not use the device in aggressive atmosphere.
- Do not immerse the device in water. Do not allow liquids to penetrate into the device.
- The device may only be used in dry surroundings and must not be used in the rain or at a relative humidity exceeding the operating conditions.
- Protect the device from permanent direct sunlight.
- Do not remove any safety signs, stickers or labels from the device. Keep all safety signs, stickers and labels in legible condition.
- Do not open the device.
- Observe the storage and operating conditions as given in the Technical data chapter.

Intended use

Only use the device to measure the indoor air temperature and humidity. Observe and comply with the technical data.

To use the device for its intended use, only use accessories and spare parts which have been approved by Trotec.

Improper use

Do not use the device out of doors.

Do not use the device in potentially explosive areas.

Any unauthorised changes, modifications or alterations to the device are forbidden.

Personnel qualifications

People who use this device must:

- have read and understood the operating manual, especially the Safety chapter.

Residual risks



Warning of electrical voltage

Work on the electrical components must only be carried out by an authorised specialist company!



Warning

Risk of suffocation!

Do not leave the packaging lying around. Children may use it as a dangerous toy.



Warning

The device is not a toy and does not belong in the hands of children.



Warning

Dangers can occur at the device when it is used by untrained people in an unprofessional or improper way! Observe the personnel qualifications!



Caution

Keep a sufficient distance from heat sources.

Note

To prevent damages to the device, do not expose it to extreme temperatures, extreme humidity or moisture.

Note

Do not use abrasive cleaners or solvents to clean the device.

Information about the device

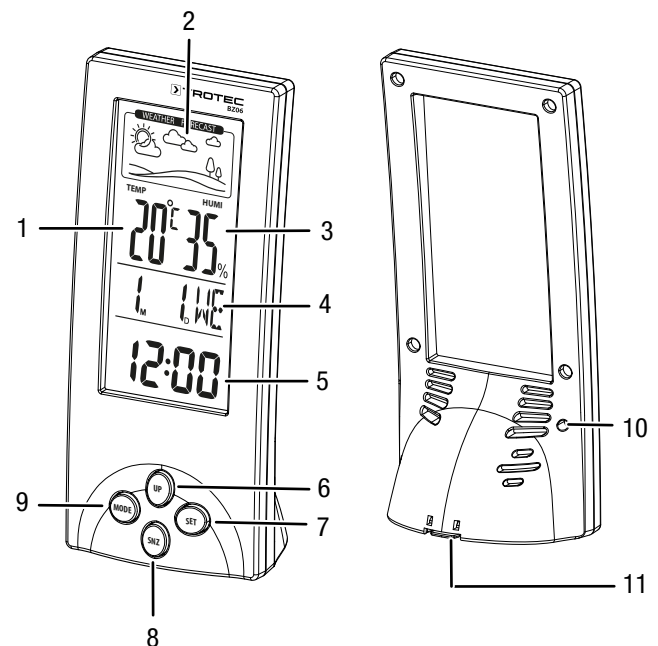
Device description

The climate monitoring station is a battery-powered measuring device indicating the current indoor climate.

It comes with the following functional properties and equipment features:

- Simultaneous indication of room temperature, weather forecast, humidity level, date, weekday and time or calendar year
- Alarm with snooze function
- Hourly time signal
- Indication of recorded minimum and maximum values for temperature and relative humidity
- Switching option between °C and °F

Device depiction



No.	Designation
1	°C / °F indication
2	Weather forecast indication
3	Relative humidity indication
4	Indication of date and weekday / alarm mode
5	Indication of time / alarm time / calendar year
6	UP button
7	SET button
8	SNZ button (snooze)
9	MODE button
10	Opening with RESET button
11	Battery compartment

Technical data

Parameter	Value
Model	BZ06
Article number	3.510.205.016
Weight (incl. batteries)	approx. 81 g
Dimensions (height x width x depth)	approx. 134 mm x 60 mm x 44 mm
Display	LCD (monochrome)
Power supply	1 battery of type AAA, 1.5 V
Relative humidity	
Measuring range	20 % RH to 99 % RH
Accuracy	± 5 % RH
Resolution	1 %
Air temperature	
Measuring range	-10 °C to 50 °C or 14 °F to 122 °F
Accuracy	± 1 °C or ± 1.8 °F
Measuring range resolution	1 °C / °F
Ambient conditions	
Operation	-10 °C to 50 °C or 14 °F to 122 °F and 90 % RH (non-condensing)
Storage	-10 °C to 50 °C or 14 °F to 122 °F and 90 % RH (non-condensing)

Scope of delivery

- 1 x Device BZ06
- 1 x Battery, type AAA, 1.5 V
- 1 x Quick guide

Transport and storage

Note

If you store or transport the device improperly, the device may be damaged.

Note the information regarding transport and storage of the device.

Transport

When transporting the device, ensure dry conditions and protect the device from external influences e.g. by using a suitable bag.

Storage

When the device is not being used, observe the following storage conditions:

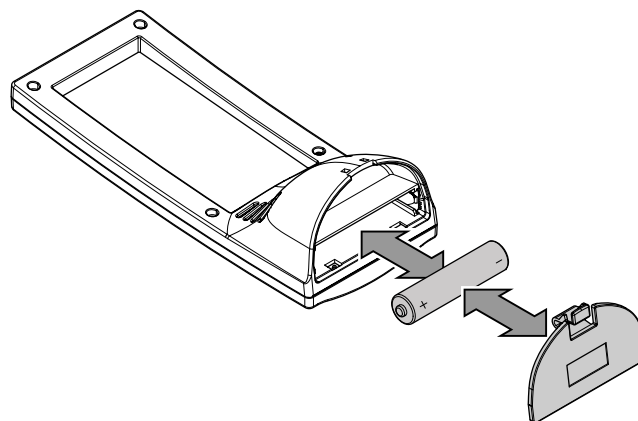
- dry and protected from frost and heat
- protected from dust and direct sunlight
- The storage temperature is the same as the range given in the Technical data chapter.
- Remove the batteries from the device.

Operation

Inserting the battery

Prior to first use, insert a battery (type AAA, 1,5 V) into the device. To do so, please proceed as follows:

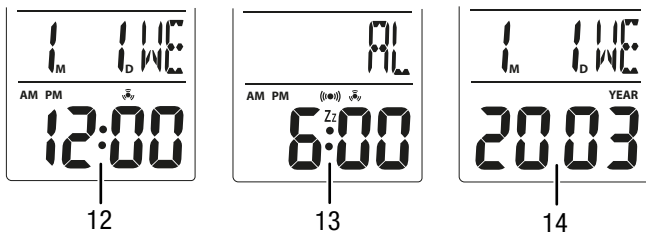
1. Open the battery compartment (11) at the bottom of the device.
2. Insert the batteries with correct polarity (+/-).



3. Close the battery compartment.
 - ⇒ The display will be activated and an acoustic signal is emitted.

Switching between the indication of time, alarm time and calendar year

By pressing the *MODE* button (9) you can switch the indication (5) from the time (time mode) to the alarm time (alarm mode) and then to the indication of the calendar year (date mode) by pressing the *MODE* button (9) once more.



No.	Designation
12	Time mode
13	Alarm mode
14	Date mode

Setting the time and time format

Please proceed as follows to set the time and the time format:

- ✓ You have selected the time mode (12).
- 1. Press the *SET* button (7) for approx. 3 seconds.
 - ⇒ The time format (12 hr / 24 hr) flashes on the display.
- 2. Use the *UP* button (6) to set the desired time format.
- 3. Once the time format has been set correctly, press the *SET* button (7) once more to switch to the hour display.
 - ⇒ The hour display starts flashing.
- 4. Use the *UP* button (6) to adjust the hour display correctly. Keep the button pressed to adjust the value at a faster pace.
- 5. Once the hour display has been set correctly, press the *SET* button (7) once more to switch to the minute display.
 - ⇒ The minute display starts flashing.
- 6. Use the *UP* button (6) to adjust the minute display correctly. Keep the button pressed to adjust the value at a faster pace.
- 7. Once the minute display has been set correctly, press the *MODE* button (9) to exit the mode.

Setting the alarm time

Please proceed as follows to set the alarm time:

1. Switch over into the alarm mode (13) by pressing the *MODE* button (9).
 - ⇒ The indication (4) switches over into alarm mode and displays *AL*, the indication (5) displays the alarm time.
2. Press the *SET* button (7) for approx. 3 seconds.
 - ⇒ The hour display starts flashing.
3. Use the *UP* button (6) to adjust the hour display correctly. Keep the button pressed to adjust the value at a faster pace.
4. Once the hour display has been set correctly, press the *SET* button (7) once more to switch to the minute display.
 - ⇒ The minute display starts flashing.
5. Use the *UP* button (6) to adjust the minute display correctly. Keep the button pressed to adjust the value at a faster pace.
6. Once the minute display has been set correctly, press the *MODE* button (9) to exit the mode.

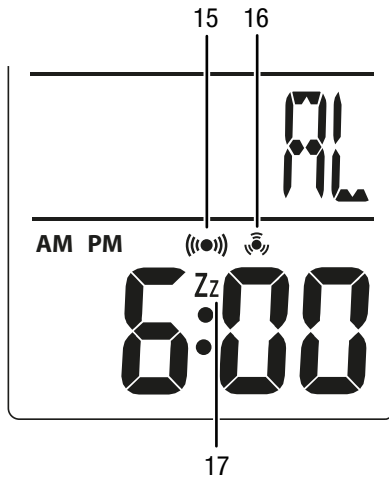
Setting the date and weekday

Please proceed as follows to set the date and the weekday:

1. Switch over into the date mode (14) by pressing the *MODE* button (9).
 - ⇒ The indication (4) displays the month, day and weekday, the indication (5) displays the calendar year.
2. Press the *SET* button (7) for approx. 3 seconds.
 - ⇒ The calendar year flashes on the display.
3. Use the *UP* button (6) to adjust the displayed calendar year correctly. Keep the button pressed to adjust the value at a faster pace.
4. Once the displayed calendar year has been set correctly, press the *SET* button (7) once more to switch to the month display.
 - ⇒ The month display (M) starts flashing.
5. Use the *UP* button (6) to adjust the month display correctly. Keep the button pressed to adjust the value at a faster pace.
6. Once the month display has been set correctly, press the *SET* button (7) once more to switch to the day display.
 - ⇒ The day display (D) starts flashing.
7. Use the *UP* button (6) to adjust the day display correctly. Keep the button pressed to adjust the value at a faster pace.
 - ⇒ The weekday will automatically be set to the correct day.
8. Once the day display has been set correctly, press the *MODE* button (9) to exit the mode.

De-/activating the alarm function and the hourly time signal

1. Switch over into the alarm mode (13) by pressing the *MODE* button (9).
 - ⇒ The indication (4) switches over into alarm mode and displays *AL*, the indication (5) displays the alarm time.
2. Press the *UP* button (6) to activate the alarm function.
 - ⇒ The alarm icon (15) will be indicated on the display.
3. By pressing the *UP* button (6) once more you can now in turn select the following functions:
 - Hourly time signal activated instead of the alarm function. The icon for the hourly alarm signal (16) will be displayed and an acoustic signal is emitted every full hour.
 - Both the alarm function and the hourly time signal are activated. Both icons (15, 16) will be displayed.
 - Both the alarm function and the hourly time signal are deactivated. None of the two icons (15, 16) will be displayed.



No.	Designation
15	Alarm function activated icon
16	Hourly time signal activated icon
17	Snooze function activated icon

Turning off the alarm

When the acoustic alarm signal is emitted, you can turn it off by pressing any of the buttons (other than *SNZ* (8)).

Note:

The alarm will stop automatically after 1 minute if no button is pressed.

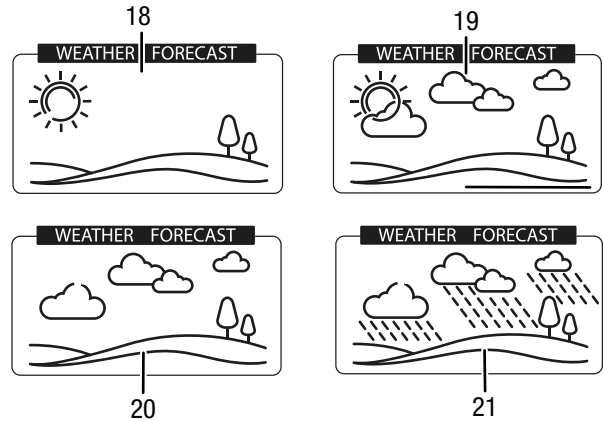
Snooze function

The device comes equipped with a snooze function enabling you to turn the alarm off for the time being. The acoustic alarm signal will be emitted once more after approx. 4 minutes:

1. Press the *SNZ* button (8) when you hear the alarm.
 - ⇒ The alarm will stop and the icon for the snooze function (17) starts flashing.
2. After approx. 4 minutes, when the acoustic alarm signal is emitted once more, you can use the snooze function again by pressing *SNZ* (8).
3. To deactivate the active snooze function, simply press any other button than *SNZ* (8).
 - ⇒ The icon for the snooze function (17) will stop flashing and the snooze function is deactivated.

Weather forecast

The device has an indication for the weather forecast (2) displayed by four symbols:



No.	Designation
18	Sunny symbol
19	Partly cloudy symbol
20	Overcast symbol
21	Rain symbol



Info

The device is not fitted with a sensor for atmospheric pressure. The weather forecast is based on the changing relative humidity level. If the relative humidity level changes by more than $\pm 5\%$ within one hour, the indication will be adjusted accordingly.

Indication of minimum and maximum values

The device saves the minimum and maximum values for temperature and relative humidity. These values can be displayed by pressing the *UP* button (6):

1. Briefly press the *UP* button (6) once to display the maximum values.
 - ⇒ The maximum values will be displayed along with the *MAX* symbol.
2. Press the *UP* button (6) again to display the minimum values.
 - ⇒ The minimum values will be displayed along with the *MIN* symbol.
3. Press the *UP* button (6) once more to exit the mode.

Switching the temperature indication between °C and °F

Briefly press the *SET* button (7) to switch the indicated temperature unit from degrees Celsius to degrees Fahrenheit or vice versa.



Info

Switching between °C and °F can only be accomplished in the time mode.

Resetting the system

You can reset the system to its initial configuration. To do so, use a pointed object to press the *RESET* button in the opening (10).

Maintenance and repair

Battery change

A battery change is required when the display is no longer or only partly visible.

See chapter Operation.

Cleaning

Clean the device with a soft, damp and lint-free cloth. Make sure that no moisture enters the housing. Do not use any sprays, solvents, alcohol-based cleaning agents or abrasive cleaners, but only clean water to moisten the cloth.

Repair

Do not modify the device or install any spare parts. For repairs or device testing, contact the manufacturer.

Disposal



The icon with the crossed-out waste bin on waste electrical or electronic equipment stipulates that this equipment must not be disposed of with the household waste at the end of its life. You will find collection points for free return of waste electrical and electronic equipment in your vicinity. The addresses can be obtained from your municipality or local administration. For further return options provided by us please refer to our website www.trotec24.com.

The separate collection of waste electrical and electronic equipment aims to enable the re-use, recycling and other forms of recovery of waste equipment as well as to prevent negative effects for the environment and human health caused by the disposal of hazardous substances potentially contained in the equipment.



In the European Union, batteries and accumulators must not be treated as domestic waste, but must be disposed of professionally in accordance with Directive 2006/66/EC of the European Parliament and of the Council of 6 September 2006 on batteries and accumulators. Please dispose of batteries and accumulators according to the relevant legal requirements.

Trotec GmbH & Co. KG

Grebener Str. 7
D-52525 Heinsberg

☎ +49 2452 962-400

☎ +49 2452 962-200

✉ info@trotec.com

www.trotec.com